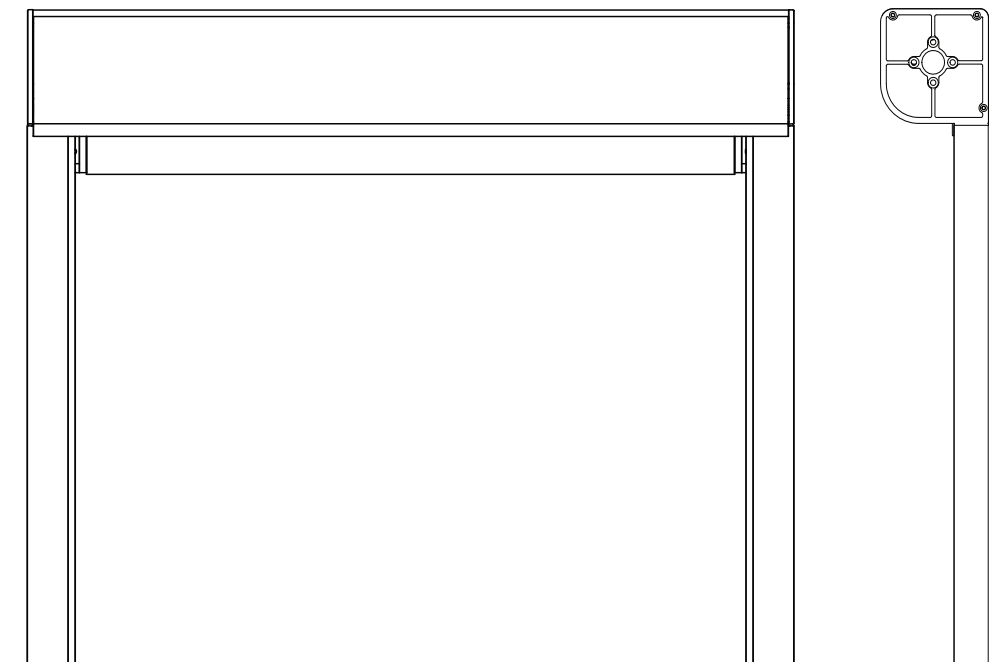




Harbor

Exterior Solar Screen



A substantial cassette system with larger and sturdier roll-tube, the Harbor is perfect for projects requiring widths that exceed 20' as well as longer drop-lengths on thicker fabrics.

Time to expand



Harbor with ShyZip® Tracks | Window Products Management, Ventura CA



Harbor with ShyZip® Tracks
Longhorn Solar Screens, Denton TX



Harbor with ShyZip® Tracks | Kraft Mobile Screen Service, Wilsonville CA

Relax in comfort



Harbor with ShyZip® Tracks
Window Products Management, Ventura CA

Corradi USA



With the advantage of larger screen sizes, some solar screen fabrics with longer drops may require a horizontal seam.

Harbor with ShyZip® Tracks | Blind Appeal, Nampa ID

HARBOR Exterior Solar Screen



Harbor is modeled after the industry's superior shading system, the Summit, and is exclusively manufactured and sold by Corradi USA. The base model is manual gear operated with detachable click-on crank, no side tracks, and a heavy duty bottom rail. The headbox has a curved front. Upgrade track options include the ShyZip® Spring fabric retention system or stainless steel cable guides for both manual or motorized. The manual option includes a detachable click-on crank with an inconspicuous foldable handle. The detachable crank can be used on a manual shade up to the manual maximum length of 16' wide. Motor configurations include a wired switch controlled motor or wireless remote controlled motor. Corradi offers the latest motors from Somfy® and other name brands. Any shade more than 16' wide must be motorized. Also, the wireless options can be used with a sun & wind sensor to automatically operate under specific conditions.

**Please note Harbor does not use mounting brackets.*

IDEAL APPLICATIONS

WINDOWS INSTALLED AS AN EXTERIOR APPLICATION

GARAGE DOOR OPENINGS, MAKING THE GARAGE A MULTI-USE AND INSECT FREE ROOM

PATIO COVERS TO CREATE INSECT PROOF SCREENED-IN PORCHES AT THE TOUCH OF A BUTTON

OUTDOOR RESTAURANT DINING AREAS

OUTDOOR SMOKING AREAS

RESIDENTIAL AND COMMERCIAL VERANDAS

LARGER WIDTHS AND OPENINGS

FRAME COLORS

POWDER COATING*

The aluminum extrusions are painted with certified Qualicoat cycle epoxy powders.



*RAL CUSTOM COLOR POWDER COATING IS ALSO AVAILABLE
Due to print variation these finish images should not be used for final production specifications.

FABRICS

Corradi USA offers a wide variety of fabrics for exterior solar screens. Listed below are standard and recommended fabrics available.

PHIFER

Solar protection fabrics with a wide range of openness

SHEERWEAVE: 2000, 2100, 2360, 2390, 2410, 2500, 4000, 4100, and more...	SUNTEX: 80, 90, & 95	TUFFSCREEN
---	--------------------------------	-------------------

SERGE FERRARI

Preconstraint tension vinyl and solar protection fabrics.

SOLTIS PROOF W96	SOLTIS HORIZON 86
SOLTIS PROOF 502	SOLTIS HARMONY 88
SOLTIS PERFORM 92	SOLTIS OPAQUE B92

TEMPOTEST USA

Vibrant and durable injection dyed acrylic and solar protection fabrics.

SOLID ACRYLICS
SOLID ACRYLICS FR

CLEAR VINYL WINDOWS WITH BORDERS

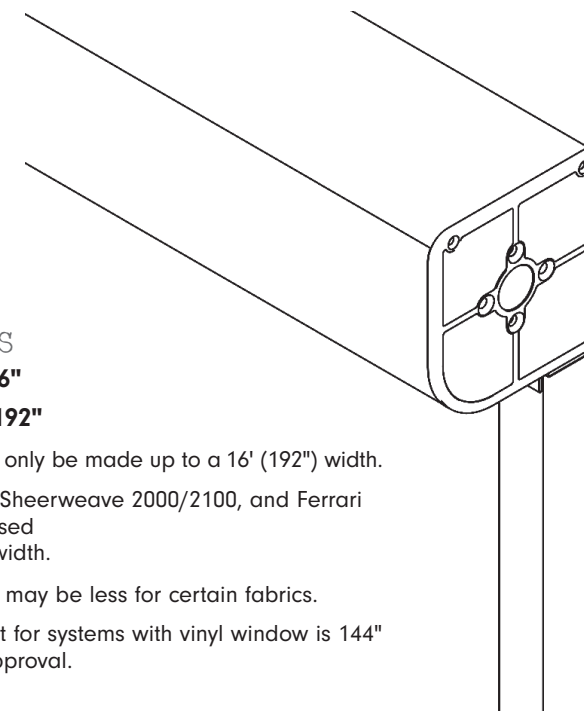
Protect from rain & keep the view. Clear vinyl windows include borders that can be constructed from vinyl coated textiles or acrylic fabrics.

OTHER FABRICS APPLICABLE*

These are fabric brands that may be used but are not standard: Sunbrella Standard Acrylics Sunbrella Premium Acrylics
*Check with your authorized dealer for any other fabric options

MOTORS

SOMFY® 500 STARHEAD SERIES (MAESTRIA)
(Override CMO not available.)



KEY DETAILS

Max Width*: 276"

Max Height: 192"**

*Manual units can only be made up to a 16' (192") width.

*Only Tuffscreen, Sheerweave 2000/2100, and Ferrari Soltis 88 can be used over a 18' (216") width.

**Maximum width may be less for certain fabrics.

**Maximum height for systems with vinyl window is 144" without special approval.

Harbor with ShyZip® Tracks (2)
Image Courtesy of Window Products Management, Ventura CA